

Angular Contact Ball Bearings

Bearing No. : **NACHI 7240BDF**

■ Bearing Type

■ Clearance

■ Tolerance Class

Dimensions

$d = 200$
0
-0.030

$D = 360$
0
-0.040

$B = 58$
0
0.000

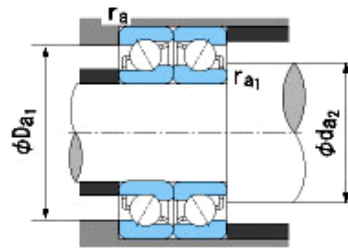
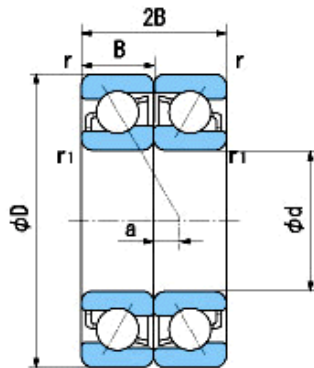
$r = 4 \sim 6.5$
(Radial Direction)

$r = 4 \sim 9$
(Axial Direction)

$r_1 = 1.5 \sim 3$
(Radial Direction)

$r_1 = 1.5 \sim 5$
(Axial Direction)

$a = 88.5$



Dimensions

$da_1(\text{min}) = 218$
 $da_2(\text{min}) = 209$
 $Da_1(\text{max}) = 342$
 $Da_2(\text{max}) = 351$
 $ra(\text{max}) = 3$
 $ra_1(\text{max}) = 1.5$
Mass = 51 kg

Basic Dynamic Load Rating C_r :	510,000 N
Basic Static Load Rating C_o :	840,000 N
Limiting Speed ;	
Grease Lubrication :	1,000 min^{-1}
Oil Lubrication :	1,500 min^{-1}

	INNER RING	OUTER RING
O.D.Surface Runout with Side :		-
Axial Runout with Bore :	-	-
Axial Runout with Raceway :	-	-
Width Variation :	0.030	0.030
Radial Runout :	0.040	0.070